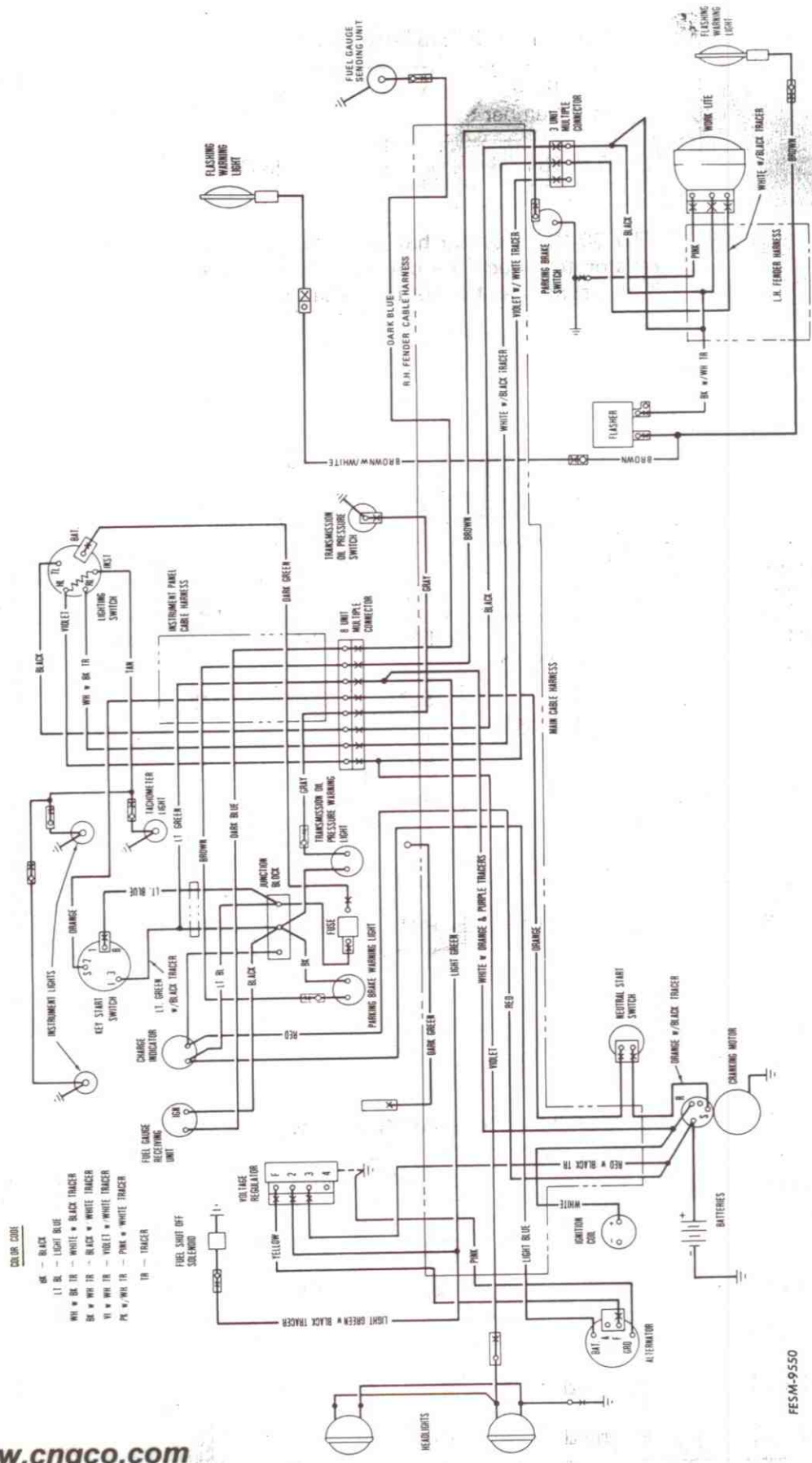


---

454 464 574 674  
484 584 684 784  
884 HYDRO 84  
TRACTORS

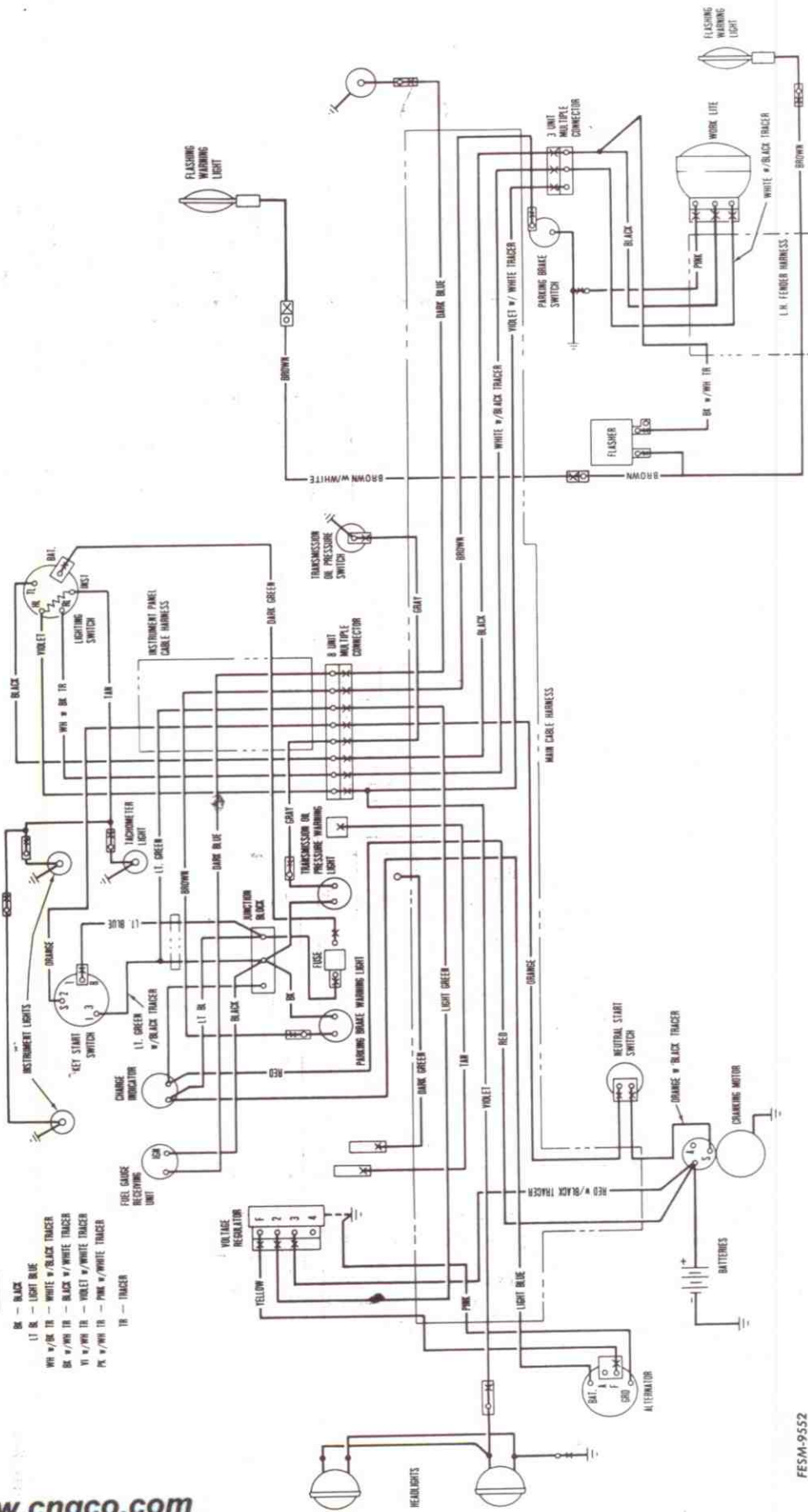
# WIRING DIAGRAMS



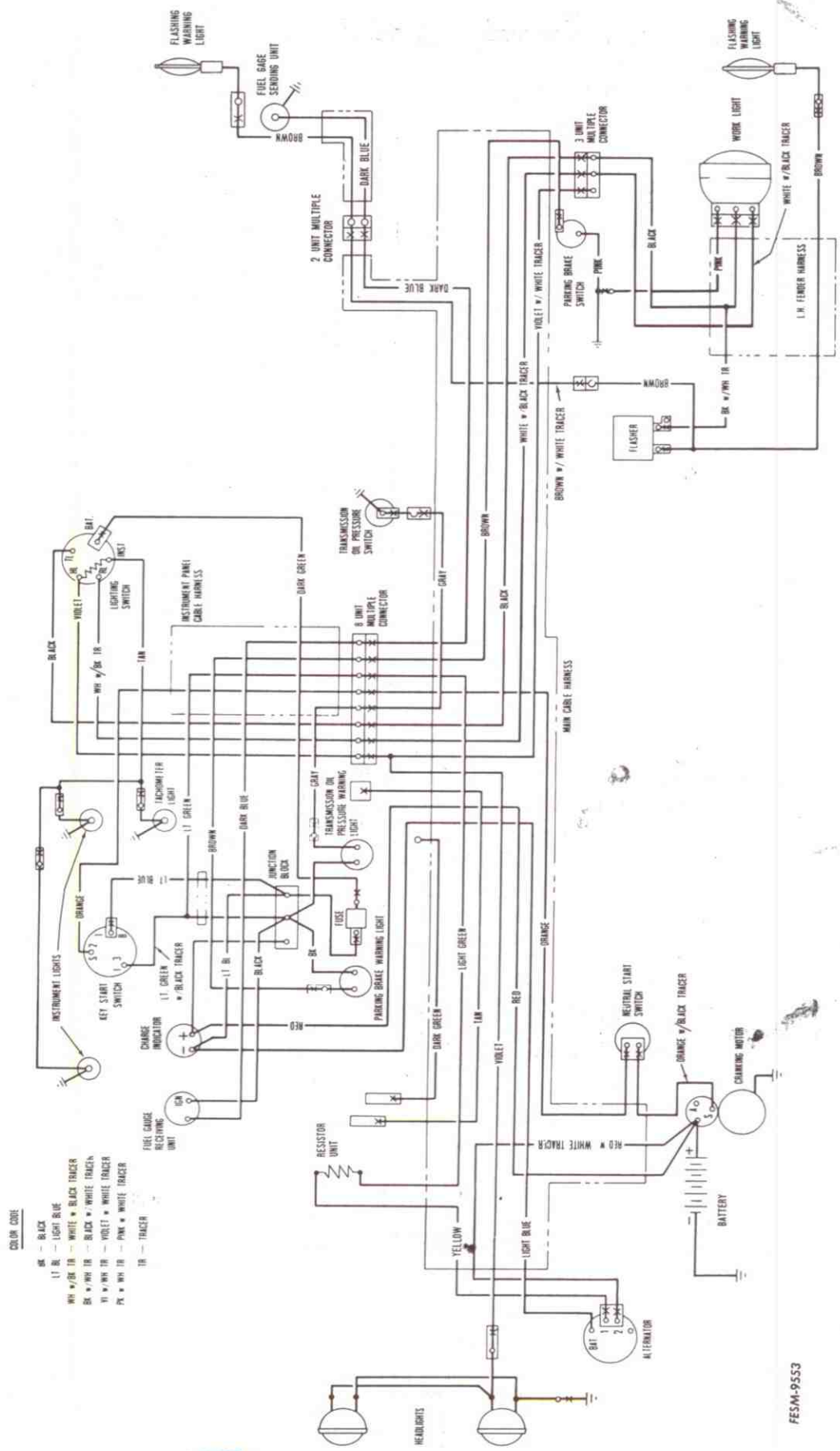


COLOR CODE

- BK - BLACK
- LT BL - LIGHT BLUE
- WH w/ BK TR - WHITE w/BLACK TRACER
- BK w/WH TR - BLACK w/WHITE TRACER
- VI w/WH TR - VIOLET w/WHITE TRACER
- PK w/WH TR - PINK w/WHITE TRACER
- TR - TRACER



454 diesel with external voltage regulator.

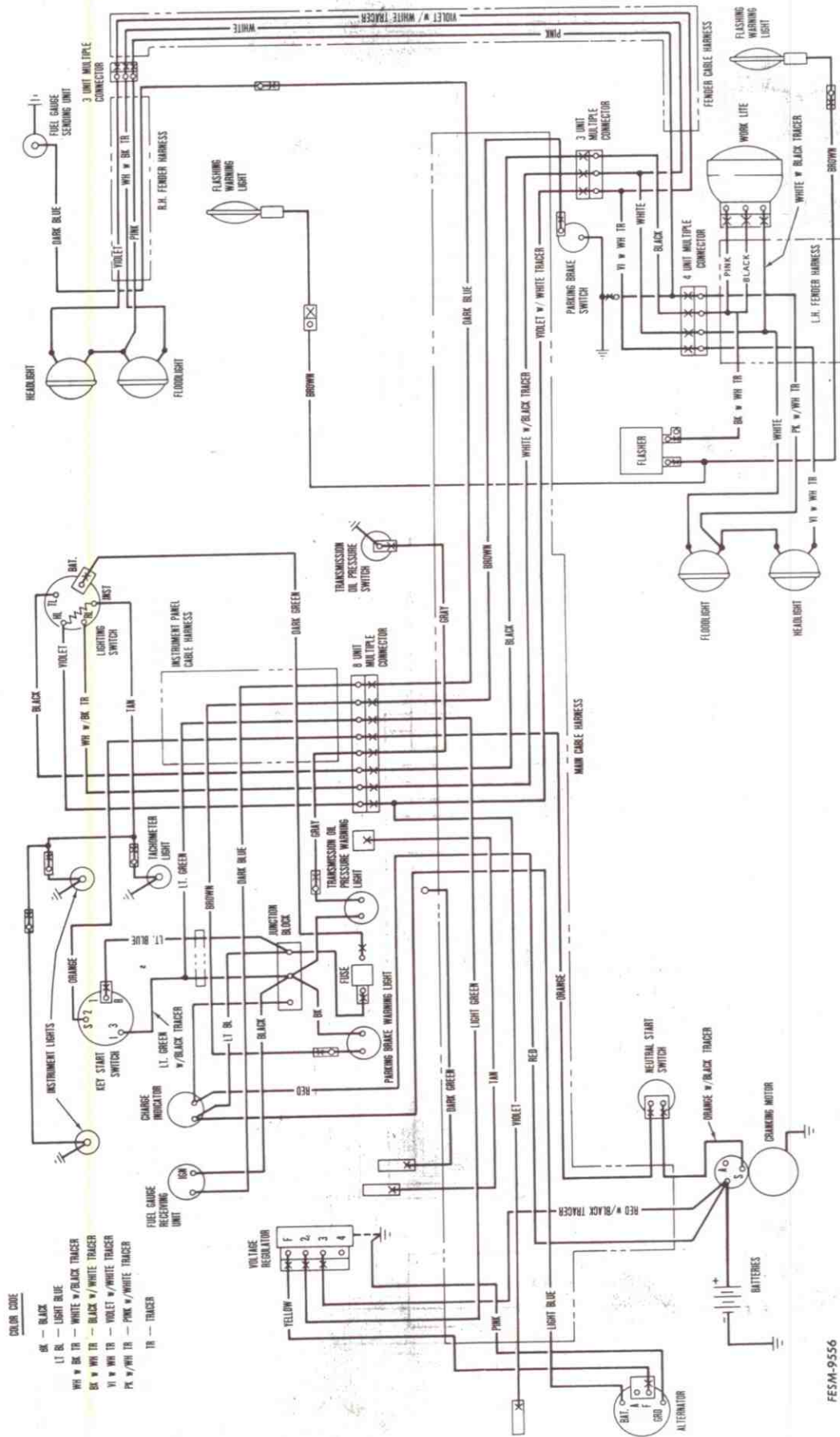


454 and 464 diesel with integral voltage regulator.

FESM-9553







574 with external voltage regulator.



